

Drop Down Seal

“Gallford” Drop down seal advantage

- Patent product, No. 2008 2 0151195.X
- EN BS test report Fire resistance for 60 minute and 120 minute
- 100000 times life test.
- Suitable for bottom of hinge door, sliding door and glass door.
- From light to heavy duty , from surface mounted to consealed installation
- Laser print Logo on product
- Removeble plunger to guarantee supplier get payment from customer

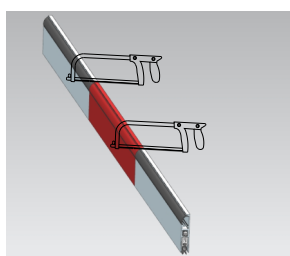
“Gallford” Surface mounted drop down seal

GF-B01



“Gallford” Surface mounted drop down seal is suitable for mending project, such as the door which has been installed needs to increase the function of acoustic , temperature insulation and dustproof

Application	Single or double hinged doors
Length	From 450-1200mm
Sealing gap	15mm
Finish	Anodized silver/bronze/golden (Standard plunger and end cap see below)
Fixing	Surface mounted screw fix with PVC decorative Cover
Seal	Silicon rubber seal, gray colour



Drop Down Seal

GF-B01-1



“Gallford” Surface mounted drop down seal is suitable for mending project, such as the door which has been installed needs to increase the function of acoustic , temperature insulation and dustproof

- Application** Single or double hinged doors
- Length** From 260-1500mm
- Sealing gap** 15mm
- Finish** Anodized silver/bronze/golden
(Standard plunger and end cap see below)
- Fixing** Surface mounted screw fix with PVC decorative Cover
- Seal** Silicon rubber seal, gray.colour



GF-B12



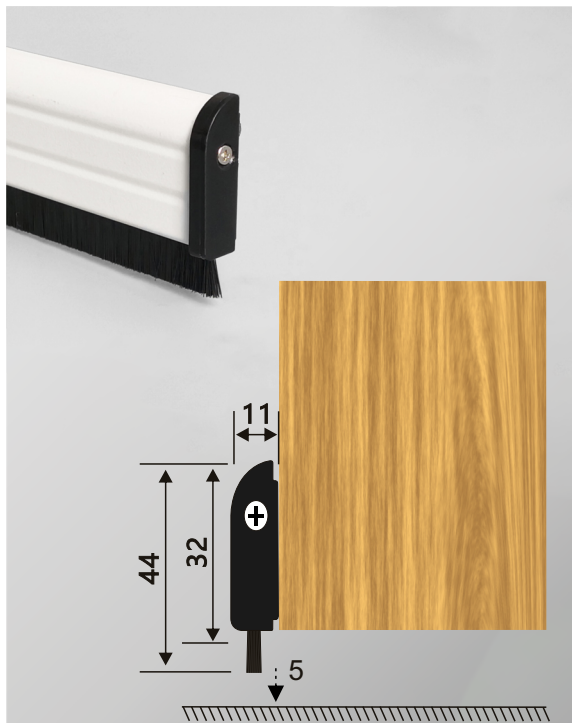
- Application** Single or double hinged doors
- Length** From 300-1500mm
- Sealing gap** Up to 15mm
- Finish** Anodized silver
- Fixing** Surface mounted screw fix with aluminum
Clip On Cover with nylon endcap
- Plunger** A111 / A112 / A201 / A202 optional (see page 18)
(Standard end cap as shown in Figure 1, optional with Figure 2)
- Seal** Co-extruded PVC seal, black



Drop Down Seal

“Galford” Surface mounted drop down seal

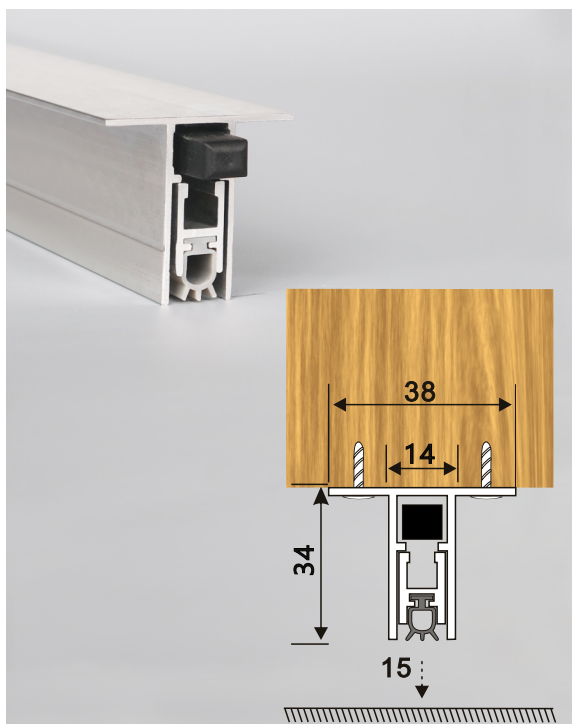
GF-H1001



GF-H1001 is self adjustable product, it consists of adjusting device and brush. The brush can be adjusted to the ground automatically to achieve the best sealing effect and minimize damage to the brush.

Application	All kinds of doors
Length	From 440-1500mm
Sealing gap	Up to 5mm
Finish	White coating
Fixing	With screws and self adhesive supplied
Seal	Brush seal, black colour

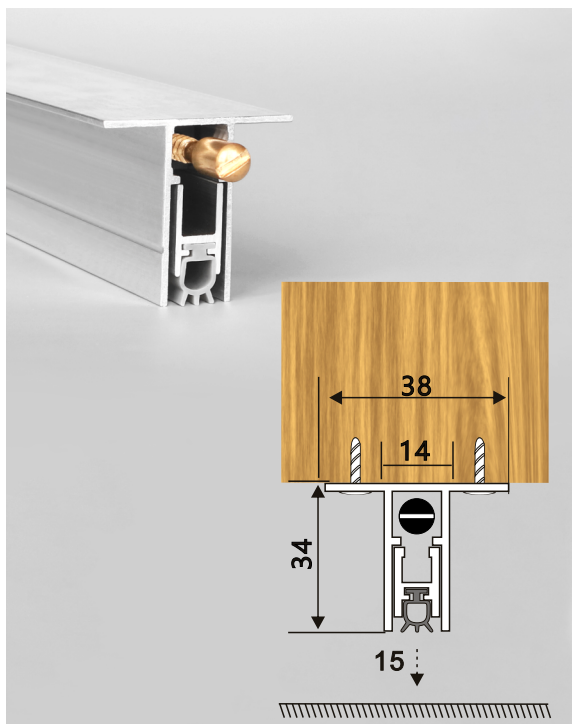
GF-B03-1



Application	All hinged door, Special for those doors that have been installed with large gaps in the bottom
Length	From 260-2200mm
Sealing gap	Up to 15mm
Finish	Anodized silver
Fixing	With screw on fin, bracket optional
Plunger	A101 / A102 / A103 / A104 optional (see page 18)
Seal	Silicon rubber seal, gray or black colour

Drop Down Seal

GF-B092-1



- Application** All hinged door, Special for those doors that have been installed with large gaps in the bottom
- Length** From 300-2200mm
- Sealing gap** Up to 15mm
- Finish** Anodized silver
- Fixing** With screw on fin, bracket optional
- Plunger** A111 / A112 / A201 optional (see page 18)
- Seal** Silicon rubber seal, gray or black colour

“Gallford” Consealed drop down seal

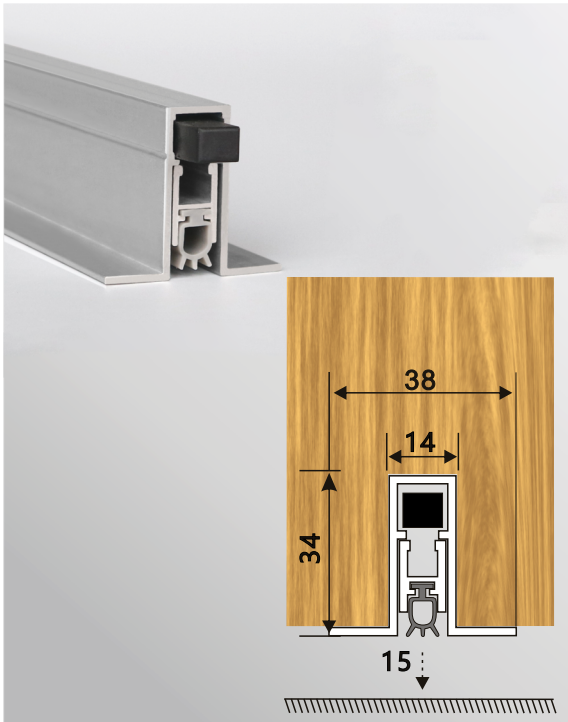
GF-B02



- Application** All hinged door
- Length** From 260-1500mm
- Sealing gap** Up to 15mm
- Finish** Anodized silver
- Fixing** With stainless steel bracket P101-S/P101-R (see page 17)
- Plunger** A101 / A102 / A103 / A104 optional (see page 18)
- Seal** Silicon rubber seal, gray or black colour

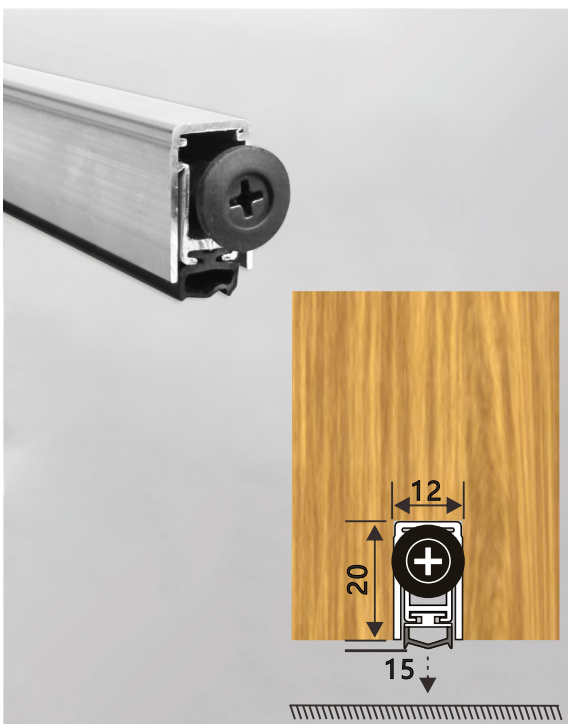
Drop Down Seal

GF-B03



Application	All hinged door
Length	From 260-2200mm
Sealing gap	Up to 15mm
Finish	Anodized silver
Fixing	a) With stainless steel bracket P101-S/ P101-R (see page 17) b) With screw on fin, bracket P101-S/ P101-R as cover optional
Plunger	A101 / A102 / A103 / A104 optional (see page 18)
Seal	Silicon rubber seal, gray or black colour

GF-B05

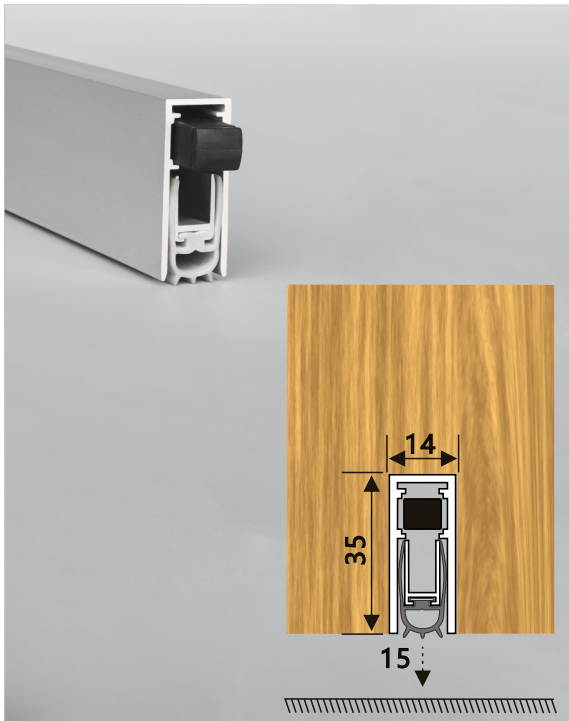


Application	All hinged door, Special for metal door which can not use bracket fixing
Length	From 260-1500mm
Sealing gap	Up to 15mm
Finish	Untreated aluminum
Fixing	With stainless steel bracket P201, D102 optional (see page 17)
Plunger	A111 / A112 / A201 optional (see page 18)
Seal	Co-extruded PVC seal, black colour

Drop Down Seal

“Gallford” Consealed drop down seal

GF-B07



Special designed removable plunger can be used for guarantee drop down seal workable when it is in position. (see below)

Application	All hinged door, Special for metal door which can not use bracket fixing
Length	From 280-1500mm
Sealing gap	Up to 15mm
Finish	Anodized silver
Fixing	With stainless steel bracket P101-S/P101-R (see page 17)
Plunger	A101 / A102 / A103 / A104 optional (see page 18)
Seal	Co-extruded TPE, gray or black colour



Removable



39dB



Intertek Report

No.: 220615013SHF-001

GF-B08



“Gallford” concealed drop down seal is suitable for single or double hinge door, During installation, there shall be slotted channel at the bottom of the door, where the product shall be placed. The brackets at both ends and the sealing device shall be fixed with screws (or fixed with screws from the top of the drop down seal upward).

Application	All hinged door, Special for metal door which can not use bracket fixing
Length	Length from 300-1500mm
Sealing gap	Up to 15mm
Finish	Untreated aluminum
Fixing	With stainless steel bracket, P102-S/P102-R (see page 17) ,D101 end cap is optional
Plunger	A111 / A112 / A201 optional (see page 18)
Seal	Co-extruded PVC seal, black colour



60 min.



Intertek Report

No.: 211229003SHF-001

Drop Down Seal

GF-B082



- Application** All hinged door, Special for metal door which can not use bracket fixing
- Length** From 300-1500mm
- Sealing gap** Up to 15mm
- Finish** Untreated aluminum
- Fixing** a) With stainless steel bracket, P102-S/P102-R (see page 17) D101 cover is optional
b) With screw on fin, end cap and bracket optional
- Plunger** A111 / A112 / A201 optional(see page 18)
- Seal** Co-extruded PVC seal, black colour

GF-B082-1



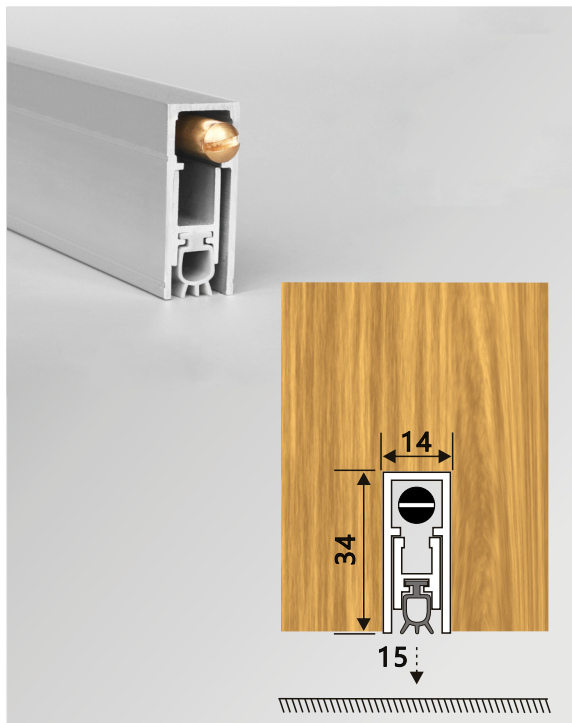
- Application** All hinged door, Special for metal door which can not use bracket fixing
- Length** From 300-1500mm
- Sealing gap** Up to 15mm
- Finish** Untreated aluminum
- Fixing** a) With stainless steel bracket, P102-S/P102-R (see page 17) D101 cover is optional
c) With screw on fin, end cap and bracket optional
- Plunger** A111 / A112 / A201 optional(see page 18)
- Seal** Co-extruded PVC seal, black colour



Drop Down Seal


“Gallford” Consealed drop down seal

GF-B09



- Application** All hinged door, Special for metal door which can not use bracket fixing
- Length** From 300-1500mm
- Sealing gap** Up to 15mm
- Finish** Anodized silver
- Fixing** a) With pre-mounted screws under the seal, endcap optional (see below)
b) With stainless steel bracket P101-S/P101-R (see page 17)
- Plunger** A111 / A112 / A201 optional (see page 18)
- Seal** Silicon rubber seal, gray or black colour



60 min. 
Assessment Report
No.: IA19-110

GF-B092



- Application** All hinged door, Special for metal door which can not use bracket fixing
- Length** From 300-2200mm
- Sealing gap** Up to 15mm
- Finish** Anodized silver
- Fixing** a) With pre-mounted screws under the seal, endcap optional (see below)
b) With stainless steel bracket P101-S/P101-R (see page 17)
c) With screw on fin, bracket optional
- Plunger** A111 / A112 / A201 optional (see page 18)
- Seal** Silicon rubber seal, gray or black colour

Drop Down Seal

GF-B092FR



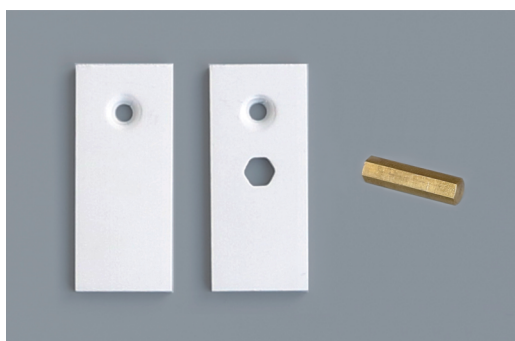
Application: For fire rated hinge door, used both for timber or steel door, special with high expansion rate intumescent strip on bottom of product.

- Application** All hinged door, Special for metal door which can not use bracket fixing
- Length** From 300-2200mm
- Sealing gap** Up to 15mm
- Finish** Anodized silver
- Fixing** a) With pre-mounted screws under the seal, endcap optional (see below)
b) With stainless steel bracket P101-S/P101-R (see page 17)
c) With screw on fin, bracket optional
- Plunger** A111 / A112 / A201 optional (see page 18)
- Seal** Silicon rubber seal, gray or black colour

GF-B062



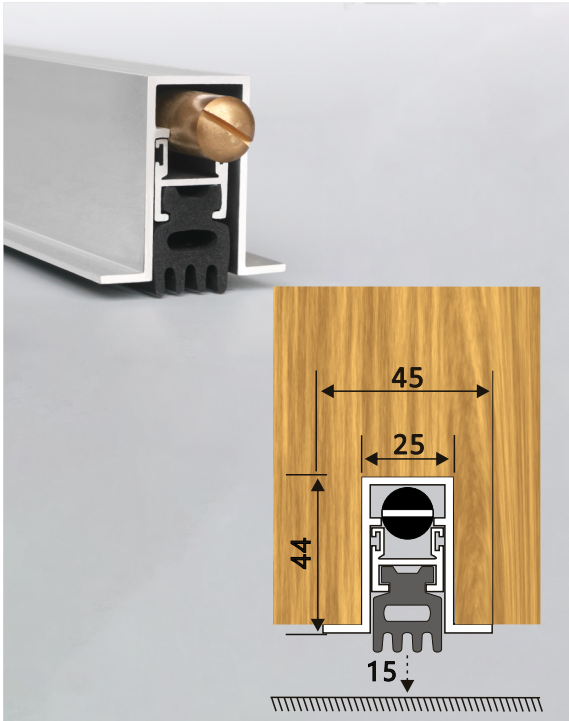
- Application** All hinged door
- Length** From 380-2300mm
- Sealing gap** Up to 15mm
- Finish** Anodized silver
- Fixing** With screw on fin, standard cover plate supplied (see below)
- Plunger** Hexagonal copper button see below (self lock from loose)
- Seal** EPDM rubber, black colour



Drop Down Seal

“Gallford” Heavy duty drop down seal

GF-B04

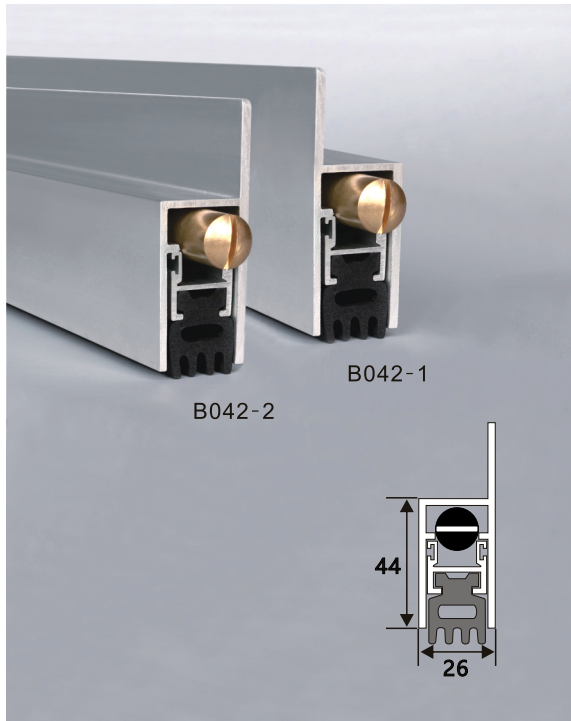


Application	All hinged door, thickness more then 45mm
Length	From 300-2300mm
Sealing gap	Up to 15mm
Finish	Anodized silver
Fixing	With screw on fin, standard cover plate supplied (see below)
Plunger	Copper plunger (see below)
Seal	EPDM foam rubber seal, black colour



Drop Down Seal

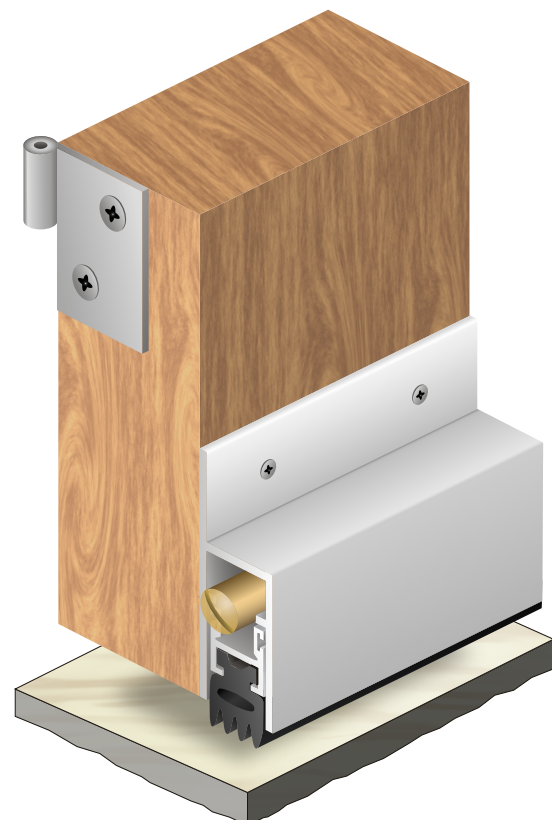
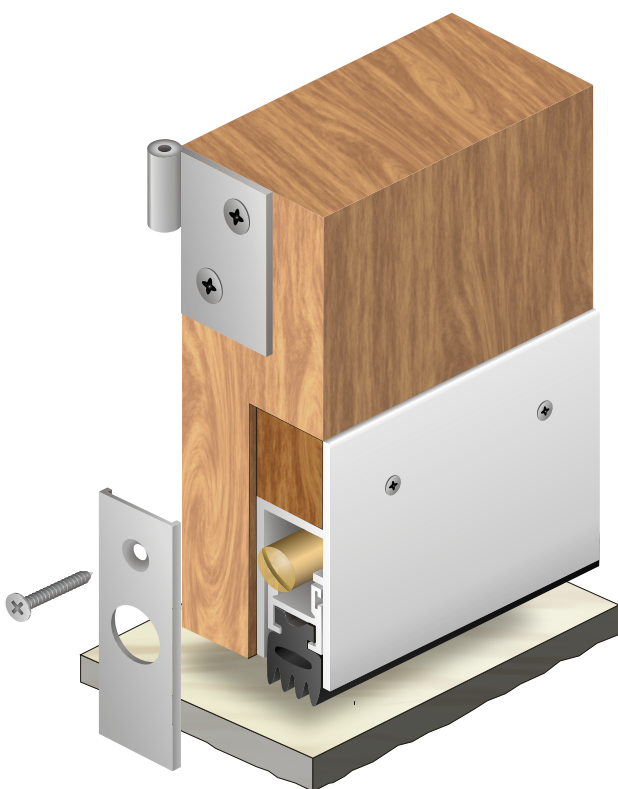
GF-B042



Heavy duty drop down seal include kick plate, it is adjustable for left and right handed operation.

Application All hinged door
Length From 300-2300mm
Sealing gap Up to 15mm
Finish Anodized silver
Fixing Installed into a solid core door in a semi-mortised manner or surface mounted With screw, standard cover plate supplied (see below)

Plunger Copper plunger (see below)
Seal EPDM foam rubber seal, black colour



Drop Down Seal

GF-B11 Drop down seal for sliding door

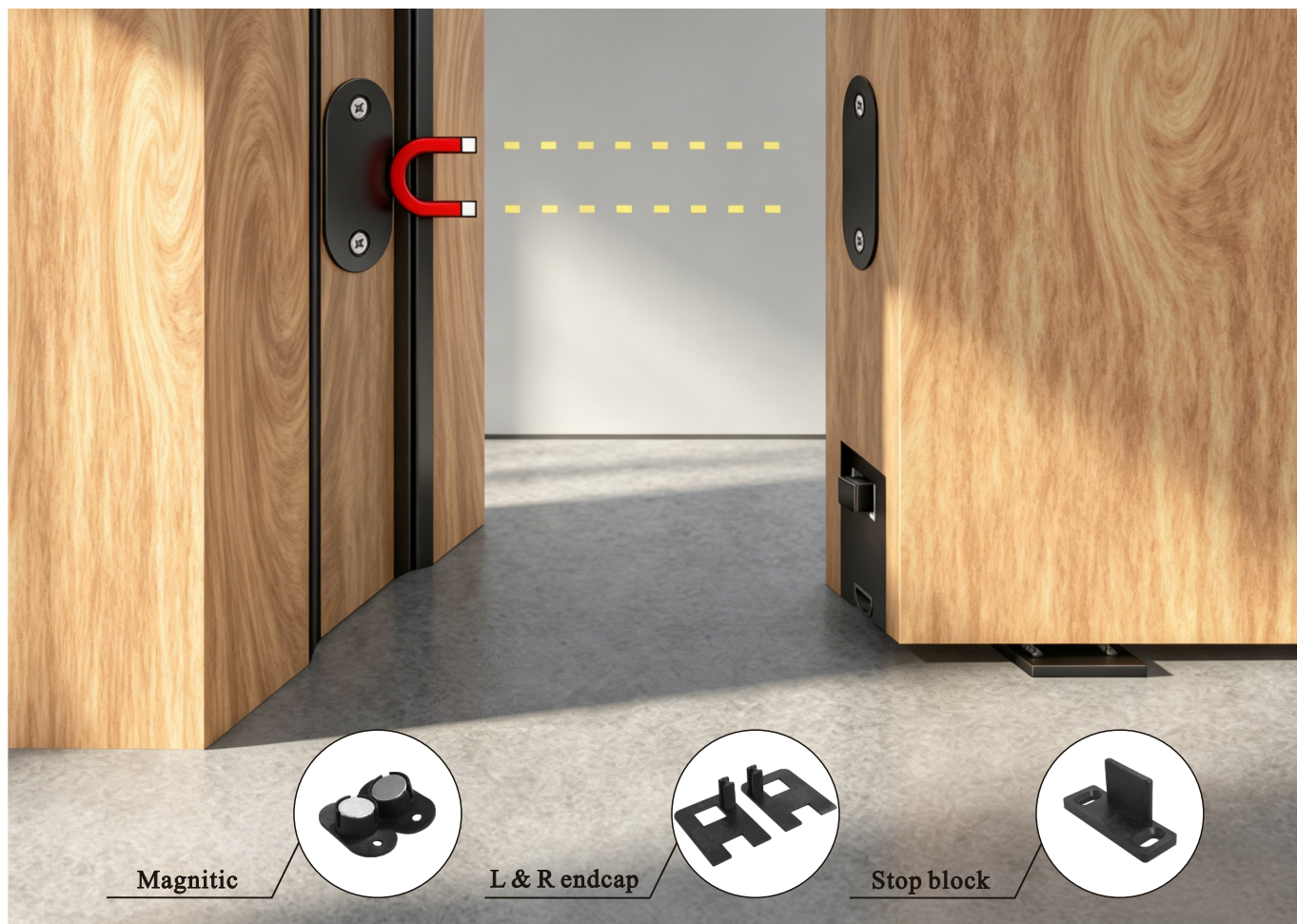


GF-B11 is specially designed for the bottom of sliding door. When the door sliding to close, the button press the door frame, strip drop down automatically to seal the gap of the door bottom.

Doors keeping close with strong magnets, When open the door, strip will lift up automatically without scratching ground.

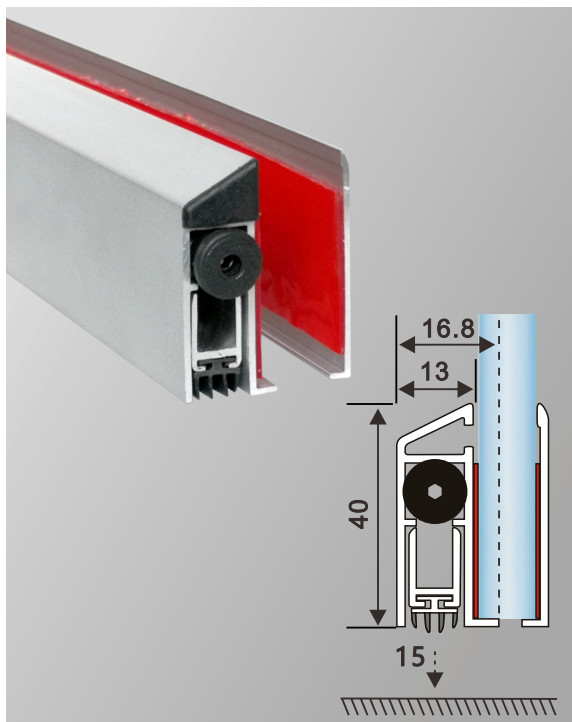
GF -B11 also specially designed with left sliding and right sliding applications to meets your different need.

Application	For timber sliding door
Length	From 330mm-1500mm
Sealing gap	3mm- 15mm
Finish	Untreated aluminum
Fixing	Supplied with magnetic slide and lock kit complete with endcap
Plunger	A102 (see page 18)
Seal	Co-extruded PVC



Drop Down Seal

GF-B15 Drop down seal for glass door



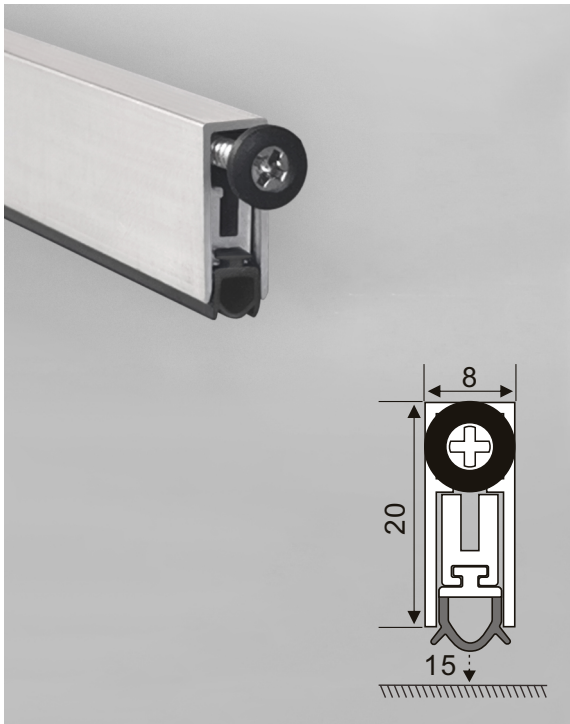
The consealed drop down seal is specially designed for flat-opening pure glass doors, aluminum alloy window frame glass doors, stainless steel frame glass doors, and wooden frame glass doors. The accessories are complete and can adapt to glass doors with or without door frames. The aluminum alloy decorative strips on the front and back with frosted surfaces, without screws on the product surface, are flat and beautiful.

Application	For types of swing glass door. Special designed with opposite decoration strim make glass door looks perfect.
Length	From 300mm-1500mm
Sealing gap	3mm-14mm
Cuting Length	Up to 115mm on the opposite to the plunger
Finish	Sand blast anodized silver
Fixing	With high strength Double Side Tape
Plunger	A201 (P18)
Seal	Co-extruded PVC



Drop Down Seal

GF-B16 Drop down seal for aluminum door



Used for bottom of aluminum door, put GF-B16 in preserved aluminum slot.

Application Use for aluminum door bottoms in order to sealing gaps for sound insulation, temperature insulation and dust control. install GF-B16 in aluminum preserved slot with top on adhesive foam tape. Also adhesive tape can be used in 2 sides of GF-B16 in case there is more space.

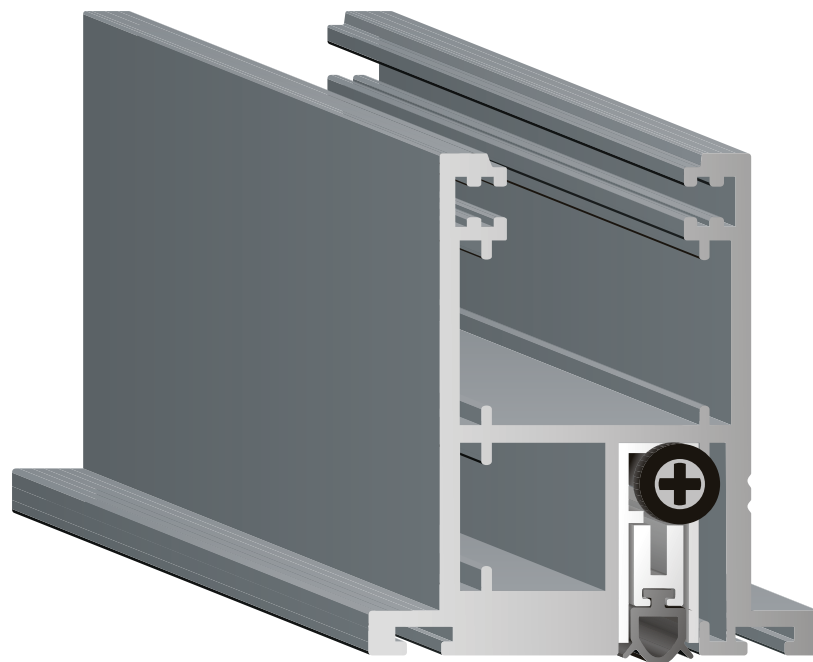
Length From 300-1100mm

Sealing gap Up to 15mm

Finish Untreated aluminum

Plunger Stainless Steel Same with GF-B01

Seal Co-extruded PVC



Drop Down Seal

GF-B17 Consealed drop down seal



Special designed removable plunger can be used to guarantee drop down seal workable when it is in position. (see below)

Application	All hinged door, Special for metal door which can not use bracket fixing
Length	From 280-1500mm
Sealing gap	Up to 15mm
Finish	Anodized silver
Fixing	With stainless steel bracket P101-S/P101-R (see page 17)
Plunger	A101 / A102 / A103 / A104 optional (see page 18)
Seal	Co-extruded TPE, gray colour



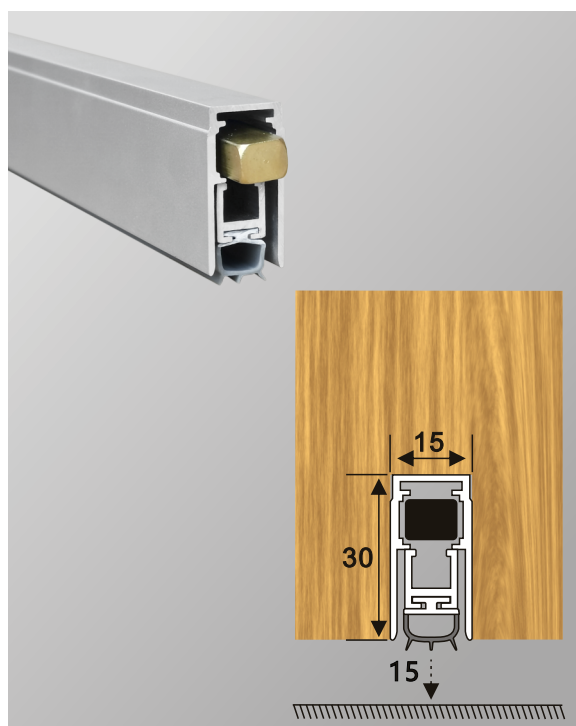
60min. 

Intertek Report No.: 211229003SHF-001

39dB 

Intertek Report No.: 220615013SHF-005

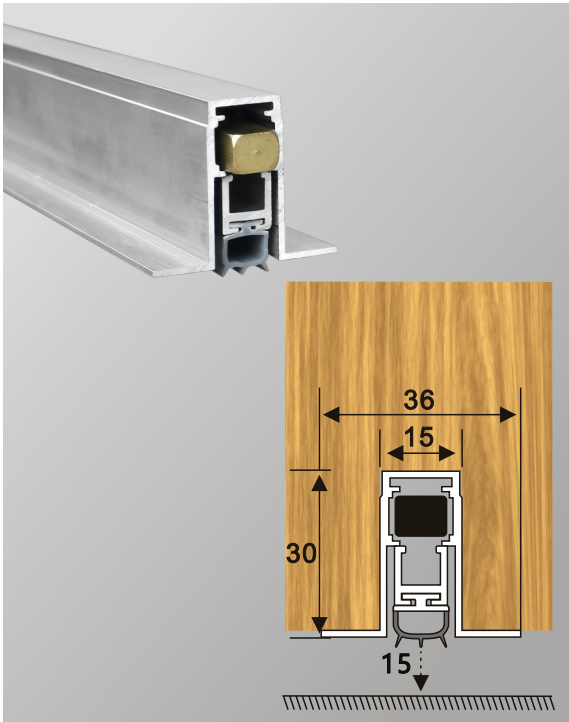
GF-B17-1 Consealed drop down seal



Application	All hinged door
Length	From 260-1500mm
Sealing gap	Up to 14mm
Finish	Untreated aluminum
Fixing	With stainless steel bracket
Plunger	A101 / A102 / A103 / A104 optional (see page 18)
Seal	Co-extruded PVC seal, gray colour

Drop Down Seal

GF-B17-2 Consealed drop down seal



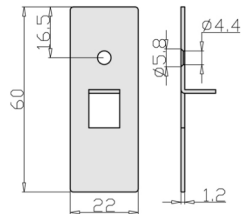
Application	All hinged door
Length	From 260-2200mm
Sealing gap	Up to 14mm
Finish	Untreated aluminum
Fixing	a) With stainless steel bracket b) With screw on fin, bracket
Plunger	A101 / A102 / A103 / A104 optional (see page 18)
Seal	Co-extruded PVC seal, gray colour

Drop Down Seal

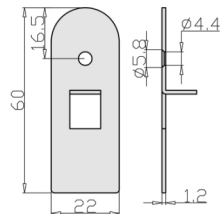
“Gallford” Drop down seal accessory

Bracket

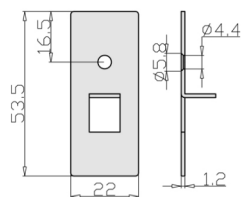
P101-S



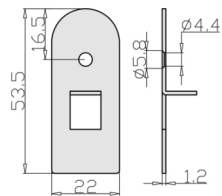
P101-R



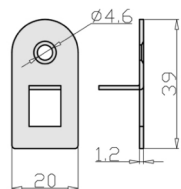
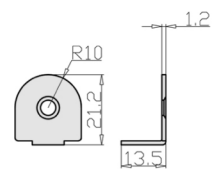
P102-S



P102-R

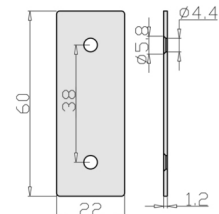


P201

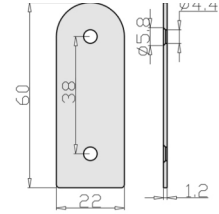


Strike Plate

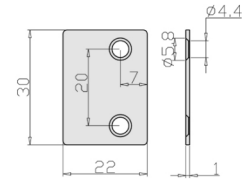
G101-S



G101-R

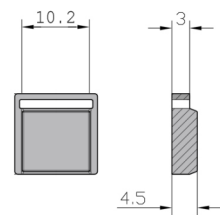


G102

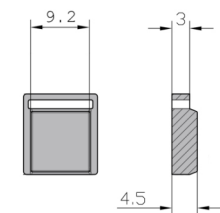


End Cap

D101



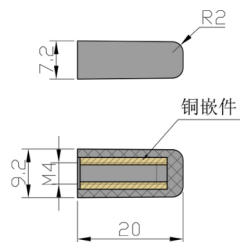
D102



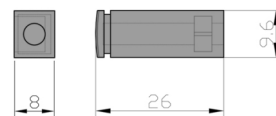
Drop Down Seal

Plunger

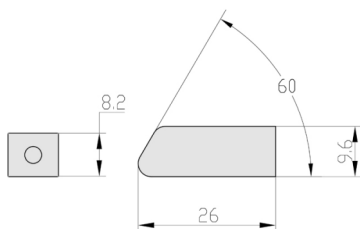
A101



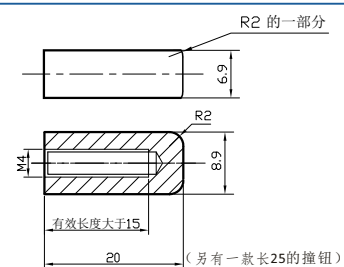
A102



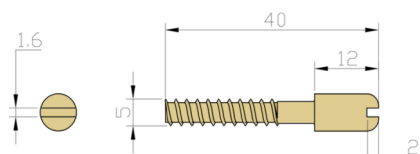
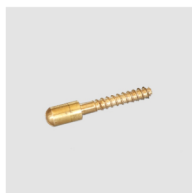
A103



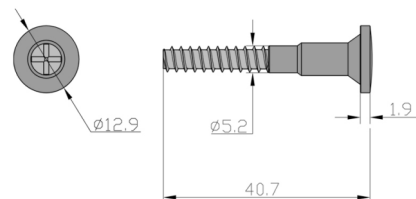
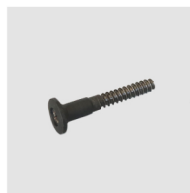
A104



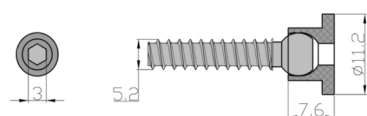
A111



A112



A201



P202

