

# Drop Down Seal

## “Gallford” Drop down seal advantage

- Patent product, No. 2008 2 0151195.X
- EN BS test report Fire resistance for 60 minute and 120 minute
- 100000 times life test.
- Suitable for bottom of hinge door, sliding door and glass door.
- From light to heavy duty , from surface mounted to consealed installation
- Laser print Logo on product
- Removeble plunger to guarantee supplier get paymenet from customer

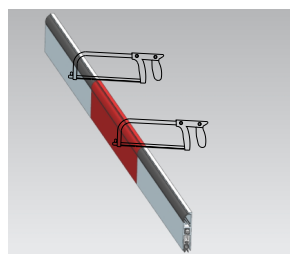
## “Gallford” Surface mounted drop down seal

### GF-B01



“Gallford” Surface mounted drop down seal is suitable for mending project, such as the door which has been installed needs to increase the function of acoustic , temperature insulation and dustproof

<b>Application</b>	Single or double hinged doors
<b>Length</b>	From 450-1200mm
<b>Sealing gap</b>	15mm
<b>Finish</b>	Anodized silver/bronze/golden (Standerd plunger and end cap see below)
<b>Fixing</b>	Surface mounted screw fix with PVC decorative Cover
<b>Seal</b>	Silicon rubber seal, gray.colour



# Drop Down Seal

## GF-B01-1

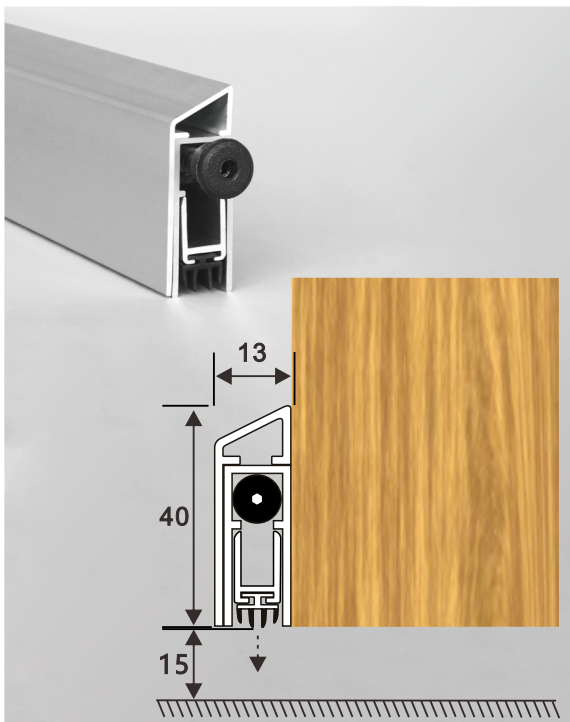


“Gallford” Surface mounted drop down seal is suitable for mending project, such as the door which has been installed needs to increase the function of acoustic , temperature insulation and dustproof

- Application** Single or double hinged doors
- Length** From 260-1500mm
- Sealing gap** 15mm
- Finish** Anodized silver/bronze/golden  
(Standard plunger and end cap see below)
- Fixing** Surface mounted screw fix with PVC decorative Cover
- Seal** Silicon rubber seal, gray.colour



## GF-B12



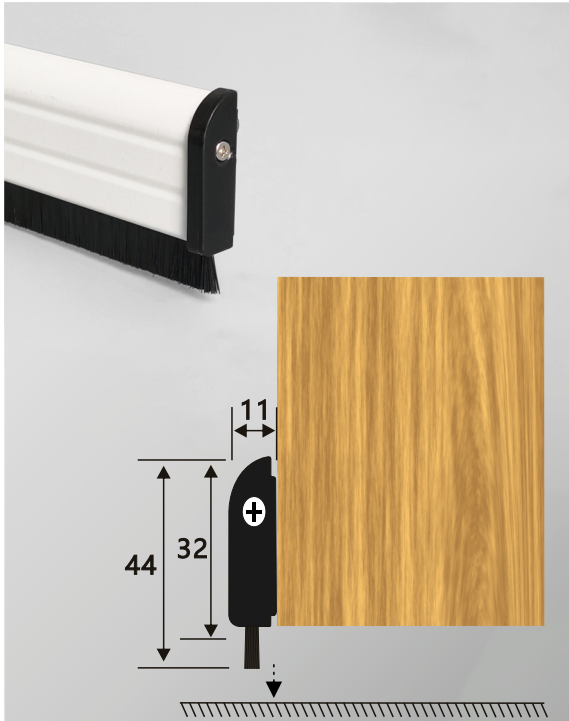
- Application** Single or double hinged doors
- Length** From 300-1500mm
- Sealing gap** Up to 15mm
- Finish** Anodized silver
- Fixing** Surface mounted screw fix with aluminum  
Clip On Cover with nylon endcap
- Plunger** A111 / A112 / A201 / A202 optional (see page 28)  
(Standard end cap as shown in Figure 1, optional with Figure 2)
- Seal** Co-extruded PVC seal, black



# Drop Down Seal

## “Galford” Surface mounted drop down seal

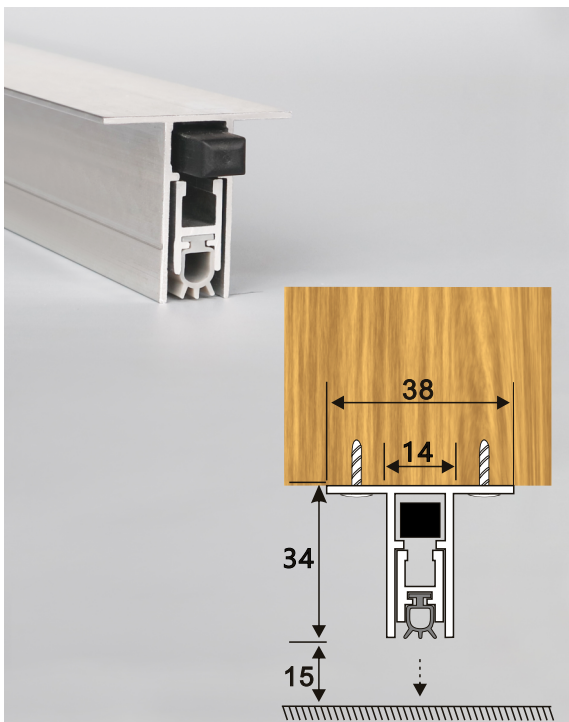
### GF-H1001



GF-H1001 is self adjustable product, it consists of adjusting device and brush. The brush can be adjusted to the ground automatically to achieve the best sealing effect and minimize damage to the brush.

Application	All kinds of doors
Length	From 440-1500mm
Sealing gap	Up to 5mm
Finish	White coating
Fixing	With screws and self adhesive supplied
Seal	Brush seal, black colour

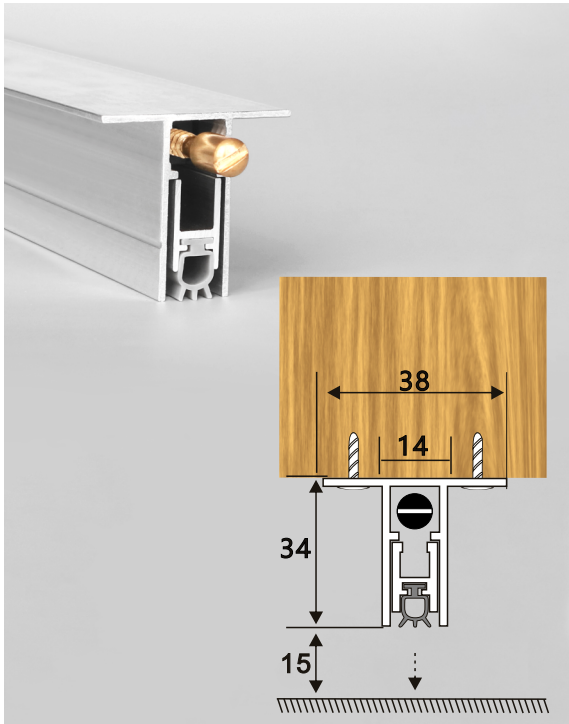
### GF-B03-1



Application	All hinged door, Special for those doors that have been installed with large gaps in the bottom
Length	From 260-2200mm
Sealing gap	Up to 15mm
Finish	Anodized silver
Fixing	With screw on fin, bracket optional
Plunger	A101 / A102 / A103 / A104 optional (see page 28)
Seal	Silicon rubber seal, gray or black colour

# Drop Down Seal

## GF-B092-1



<b>Application</b>	All hinged door, Special for those doors that have been installed with large gaps in the bottom
<b>Length</b>	From 300-2200mm
<b>Sealing gap</b>	Up to 15mm
<b>Finish</b>	Anodized silver
<b>Fixing</b>	With screw on fin, bracket optional
<b>Plunger</b>	A111 / A112 / A201 optional (see page 28)
<b>Seal</b>	Silicon rubber seal, gray or black colour

## “Gallford” Consealed drop down seal

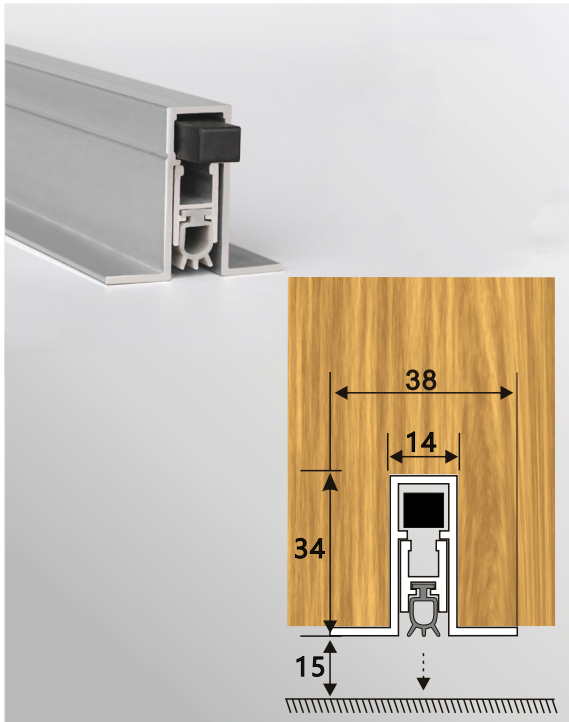
## GF-B02



<b>Application</b>	All hinged door
<b>Length</b>	From 260-1500mm
<b>Sealing gap</b>	Up to 15mm
<b>Finish</b>	Anodized silver
<b>Fixing</b>	With stainless steel bracket P101-S/P101-R (see page 27)
<b>Plunger</b>	A101 / A102 / A103 / A104 optional (see page 28)
<b>Seal</b>	Silicon rubber seal, gray or black colour

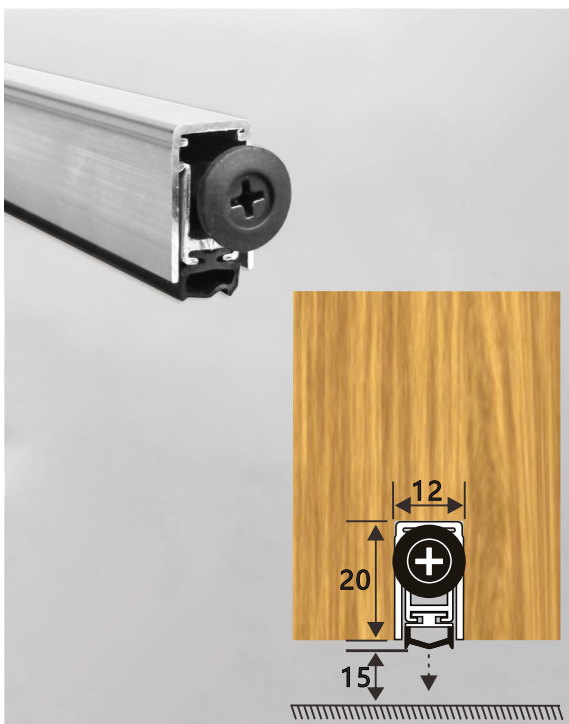
# Drop Down Seal

## GF-B03



- Application** All hinged door  
**Length** From 260-2200mm  
**Sealing gap** Up to 15mm  
**Finish** Anodized silver  
**Fixing** a) With stainless steel bracket P101-S/  
P101-R (see page 27)  
b) With screw on fin, bracket P101-S/  
P101-R as cover optional  
**Plunger** A101 / A102 / A103 / A104 optional (see page 28)  
**Seal** Silicon rubber seal, gray or black colour

## GF-B05

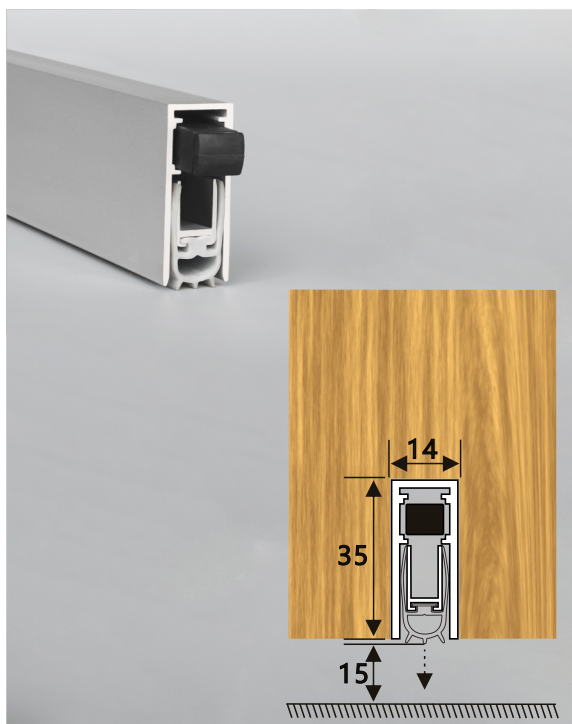


- Application** All hinged door, Special for metal door which  
can not use bracket fixing  
**Length** From 260-1500mm  
**Sealing gap** Up to 15mm  
**Finish** Anodized silver  
**Fixing** With stainless steel bracket P201, D102 optional  
(see page 27)  
**Plunger** A111 / A112 / A201 optional (see page 28)  
**Seal** Co-extruded PVC seal, black colour

# Drop Down Seal

## “Gallford” Concealed drop down seal

### GF-B07



Special designed removable plunger can be used for guarantee drop down seal workable when it is in position. (see below)

<b>Application</b>	All hinged door, Special for metal door which can not use bracket fixing
<b>Length</b>	From 280-1500mm
<b>Sealing gap</b>	Up to 15mm
<b>Finish</b>	Anodized silver
<b>Fixing</b>	With stainless steel bracket P101-S/P101-R (see page 27)
<b>Plunger</b>	A101 / A102 / A103 / A104 optional (see page 28)
<b>Seal</b>	Co-extruded TPE, gray or black colour



Removable



39dB

Intertek Report

No.: 220615013SHF-001



### GF-B08



“Gallford” concealed drop down seal is suitable for single or double hinge door, During installation, there shall be slotted channel at the bottom of the door, where the product shall be placed. The brackets at both ends and the sealing device shall be fixed with screws (or fixed with screws from the top of the drop down seal upward).

<b>Application</b>	All hinged door, Special for metal door which can not use bracket fixing
<b>Length</b>	Length from 300-1500mm
<b>Sealing gap</b>	Up to 15mm
<b>Finish</b>	Anodized silver
<b>Fixing</b>	With stainless steel bracket, P102-S/P102-R (see page 27) ,D101 end cap is optional
<b>Plunger</b>	A111 / A112 / A201 optional (see page 28)
<b>Seal</b>	Co-extruded PVC seal, black colour



60 min.

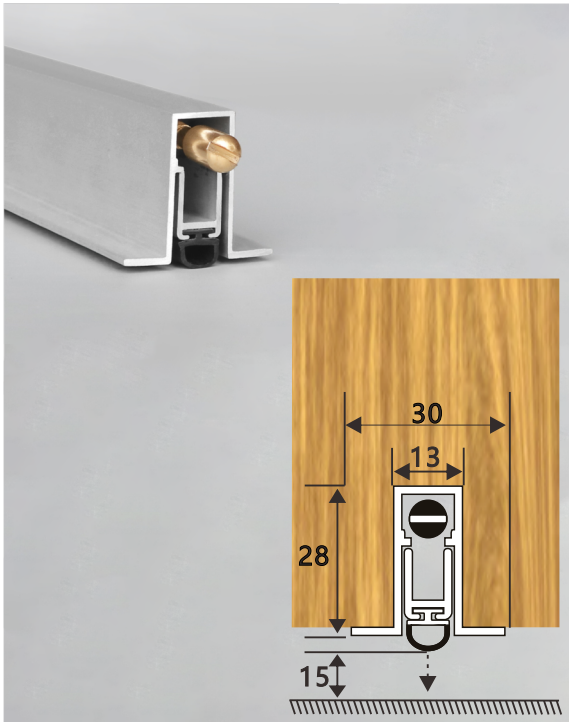
Intertek Report

No.: 211229003SHF-001



# Drop Down Seal

## GF-B082



- Application** All hinged door, Special for metal door which can not use bracket fixing
- Length** From 300-1500mm
- Sealing gap** Up to 15mm
- Finish** Anodized silver
- Fixing** a) With stainless steel bracket, P102-S/P102-R (see page 27) D101 cover is optional  
b) With screw on fin, end cap and bracket optional
- Plunger** A111 / A112 / A201 optional(see page 28)
- Seal** Co-extruded PVC seal, black colour

## GF-B082-1



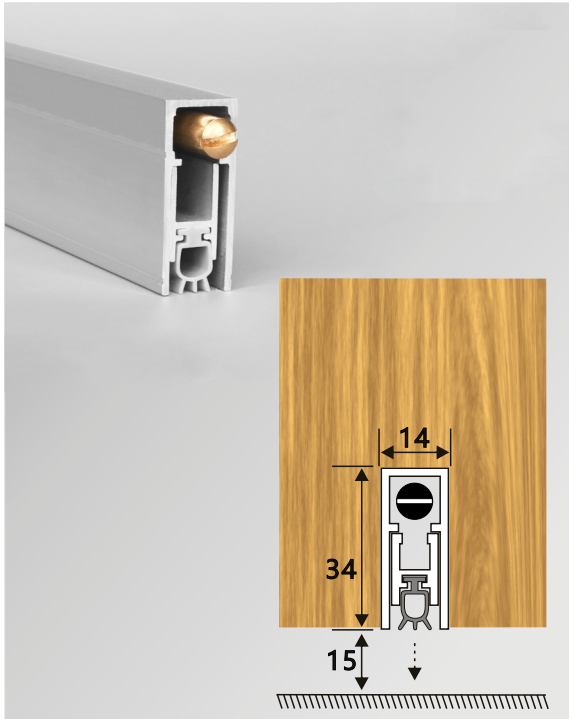
- Application** All hinged door, Special for metal door which can not use bracket fixing
- Length** From 300-1500mm
- Sealing gap** Up to 15mm
- Finish** Anodized silver
- Fixing** a) With stainless steel bracket, P102-S/P102-R (see page 27) D101 cover is optional  
c) With screw on fin, end cap and bracket optional
- Plunger** A111 / A112 / A201 optional(see page 28)
- Seal** Co-extruded PVC seal, black colour



# Drop Down Seal


## “Gallford” Consealed drop down seal

### GF-B09

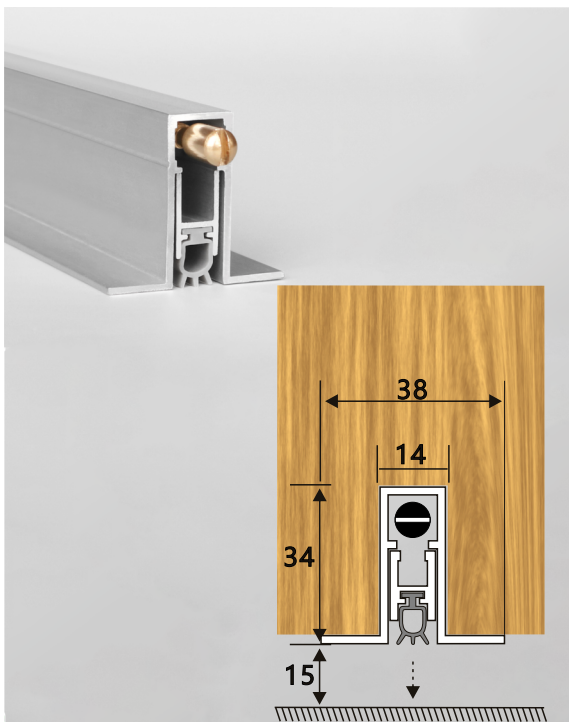


- Application** All hinged door, Special for metal door which can not use bracket fixing
- Length** From 300-1500mm
- Sealing gap** Up to 15mm
- Finish** Anodized silver
- Fixing** a) With pre-mounted screws under the seal, endcap optional (see below)  
b) With stainless steel bracket P101-S/P101-R (see page 27)
- Plunger** A111 / A112 / A201 optional (see page 28)
- Seal** Silicon rubber seal, gray or black colour



**60 min.**   
**Assessment Report**  
**No.: IA19-110**

### GF-B092



- Application** All hinged door, Special for metal door which can not use bracket fixing
- Length** From 300-2200mm
- Sealing gap** Up to 15mm
- Finish** Anodized silver
- Fixing** a) With pre-mounted screws under the seal, endcap optional (see below)  
b) With stainless steel bracket P101-S/P101-R (see page 27)  
c) With screw on fin, bracket optional
- Plunger** A111 / A112 / A201 optional (see page 28)
- Seal** Silicon rubber seal, gray or black colour

# Drop Down Seal

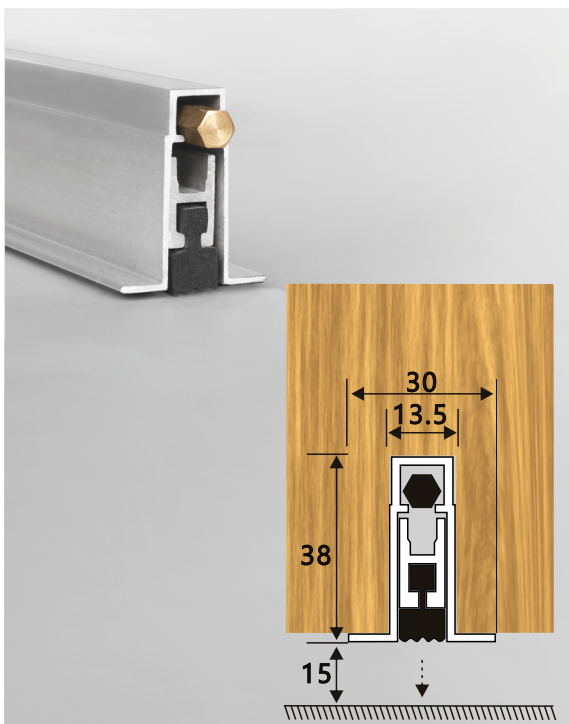
## GF-B092FR



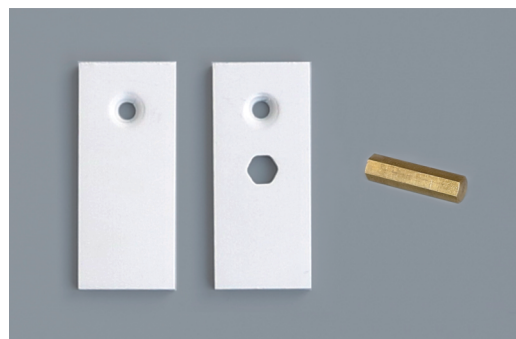
**Application:** For fire rated hinge door, used both for timber or steel door, special with high expansion rate intumescent strip on bottom of product.

- Application** All hinged door, Special for metal door which can not use bracket fixing
- Length** From 300-2200mm
- Sealing gap** Up to 15mm
- Finish** Anodized silver
- Fixing** a) With pre-mounted screws under the seal, endcap optional (see below)  
b) With stainless steel bracket P101-S/P101-R (see page 27)  
c) With screw on fin, bracket optional
- Plunger** A111 / A112 / A201 optional (see page 28)
- Seal** Silicon rubber seal, gray or black colour

## GF-B062



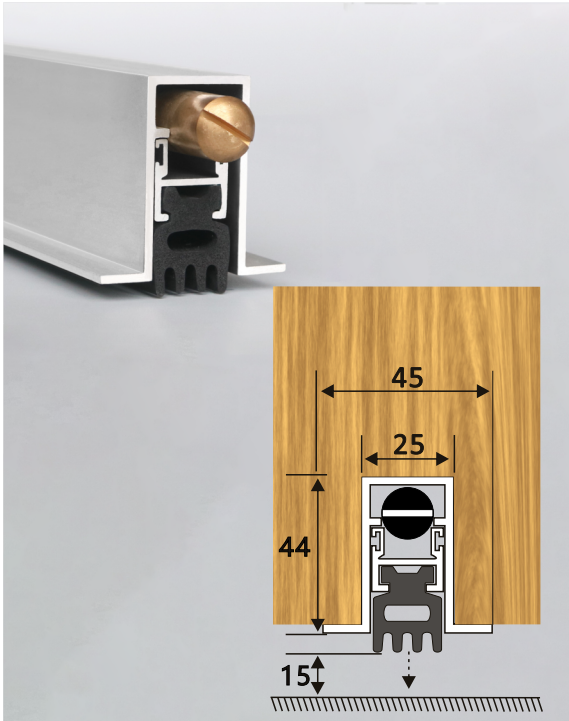
- Application** All hinged door
- Length** From 380-2300mm
- Sealing gap** Up to 15mm
- Finish** Anodized silver
- Fixing** With screw on fin, standard cover plate supplied (see below)
- Plunger** Hexagonal copper button see below (self lock from loose)
- Seal** EPDM rubber, black colour



# Drop Down Seal

## “Gallford” Heavy duty drop down seal

### GF-B04

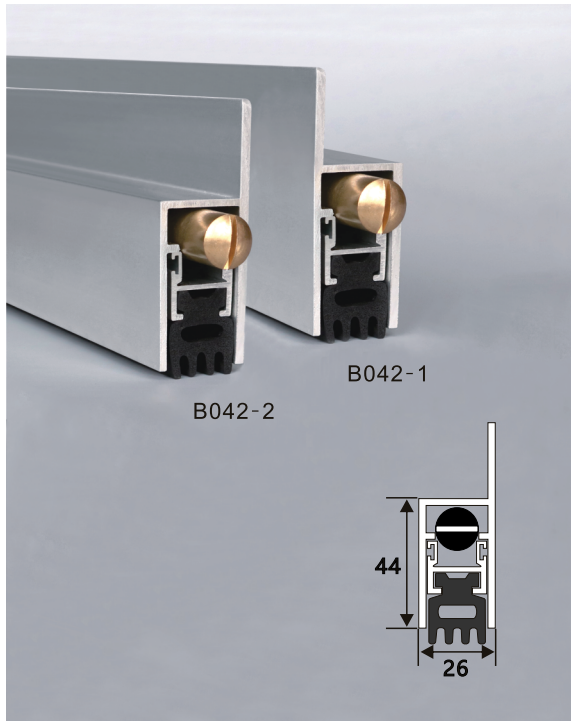


Application	All hinged door, thickness more then 45mm
Length	From 300-2300mm
Sealing gap	Up to 15mm
Finish	Anodized silver
Fixing	With screw on fin, standard cover plate supplied (see below)
Plunger	Copper plunger (see below)
Seal	EPDM foam rubber seal, black colour



# Drop Down Seal

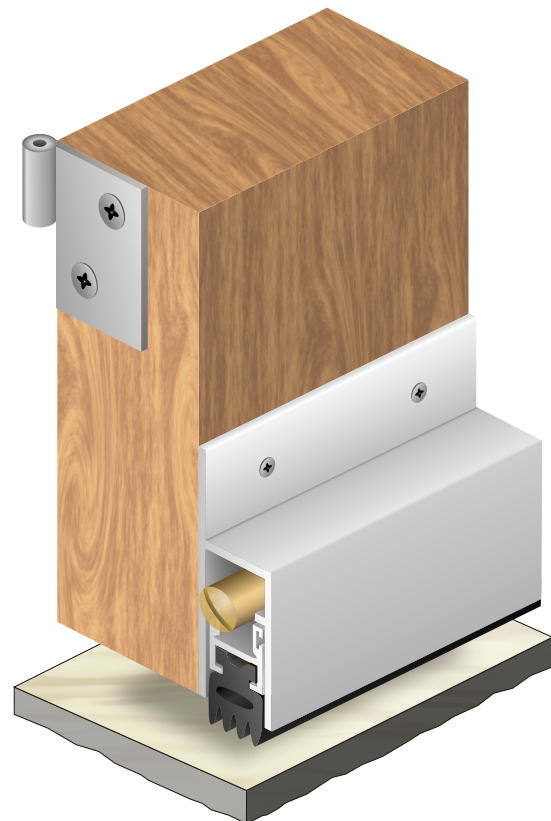
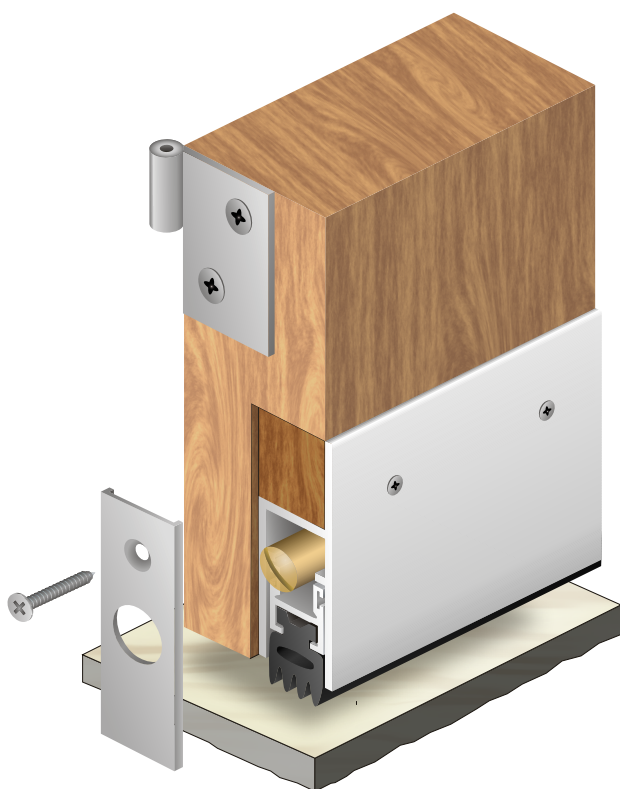
## GF-B042



Heavy duty drop down seal include kick plate, it is adjustable for left and right handed operation.

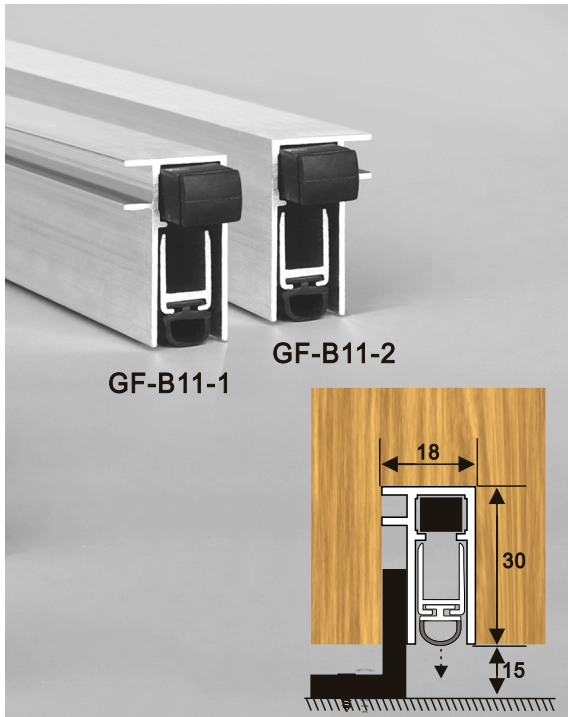
**Application** All hinged door  
**Length** From 300-2300mm  
**Sealing gap** Up to 15mm  
**Finish** Anodized silver  
**Fixing** Installed into a solid core door in a semi-mortised manner or surface mounted With screw, standard cover plate supplied (see below)

**Plunger** Copper plunger (see below)  
**Seal** EPDM foam rubber seal, black colour



# Drop Down Seal

## GF-B11 Drop down seal for sliding door

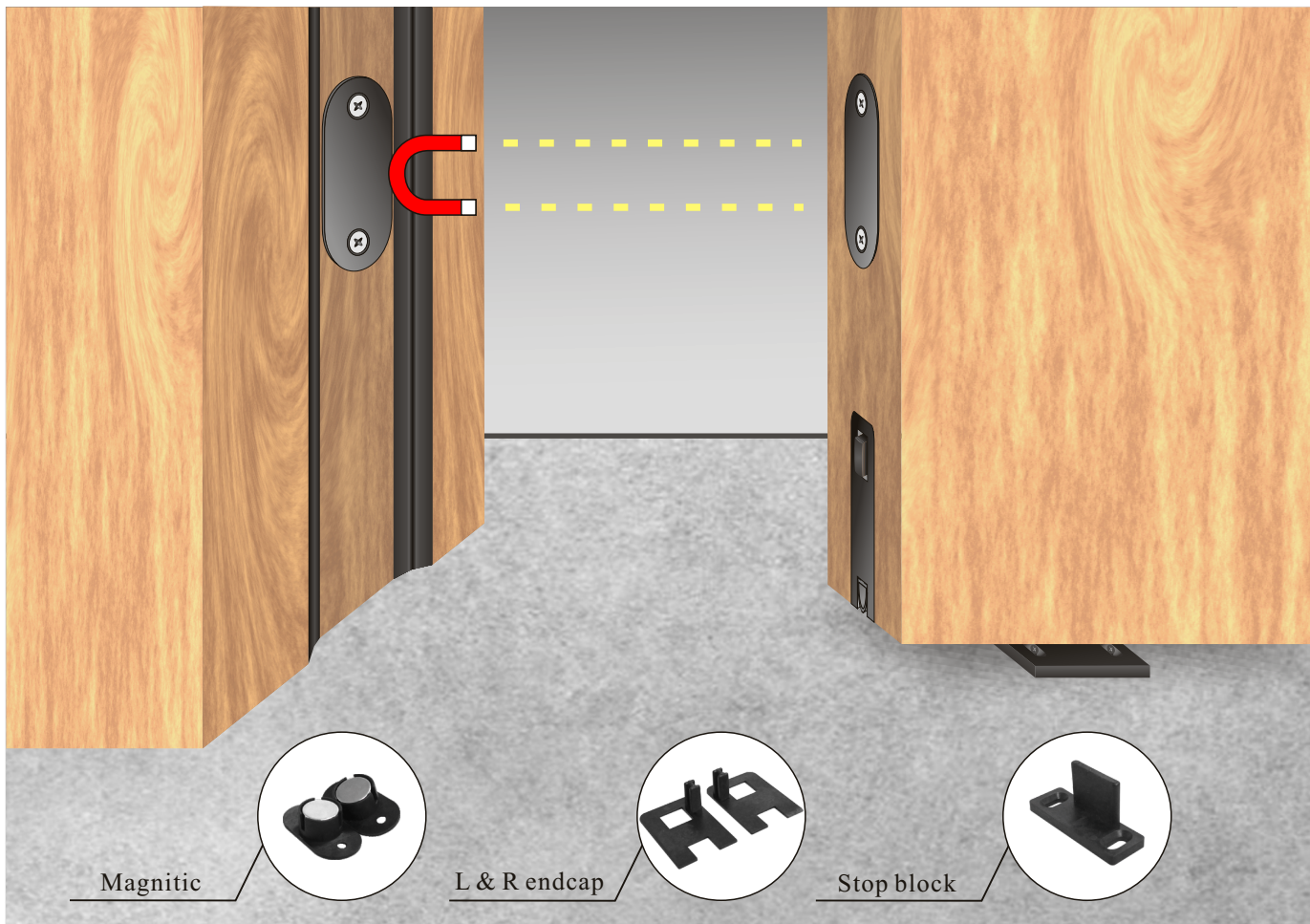


GF-B11 is specially designed for the bottom of sliding door. When the door sliding to close, the button press the door frame, strip drop down automatically to seal the gap of the door bottom.

Doors keeping close with strong magnets, When open the door, strip will lift up automatically without scratching ground.

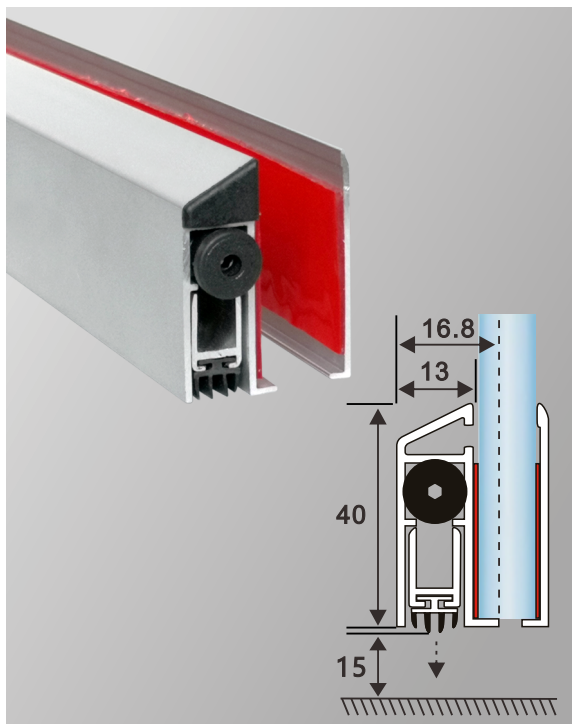
GF -B11 also specially designed with left sliding and right sliding applications to meets your different need.

<b>Application</b>	For timber sliding door
<b>Length</b>	From 330mm-1500mm
<b>Sealing gap</b>	3mm- 15mm
<b>Finish</b>	Untreated aluminum
<b>Fixing</b>	Supplied with magnetic slide and lock kit complete with endcap
<b>Plunger</b>	A102 (see page 28)
<b>Seal</b>	Co-extruded PVC



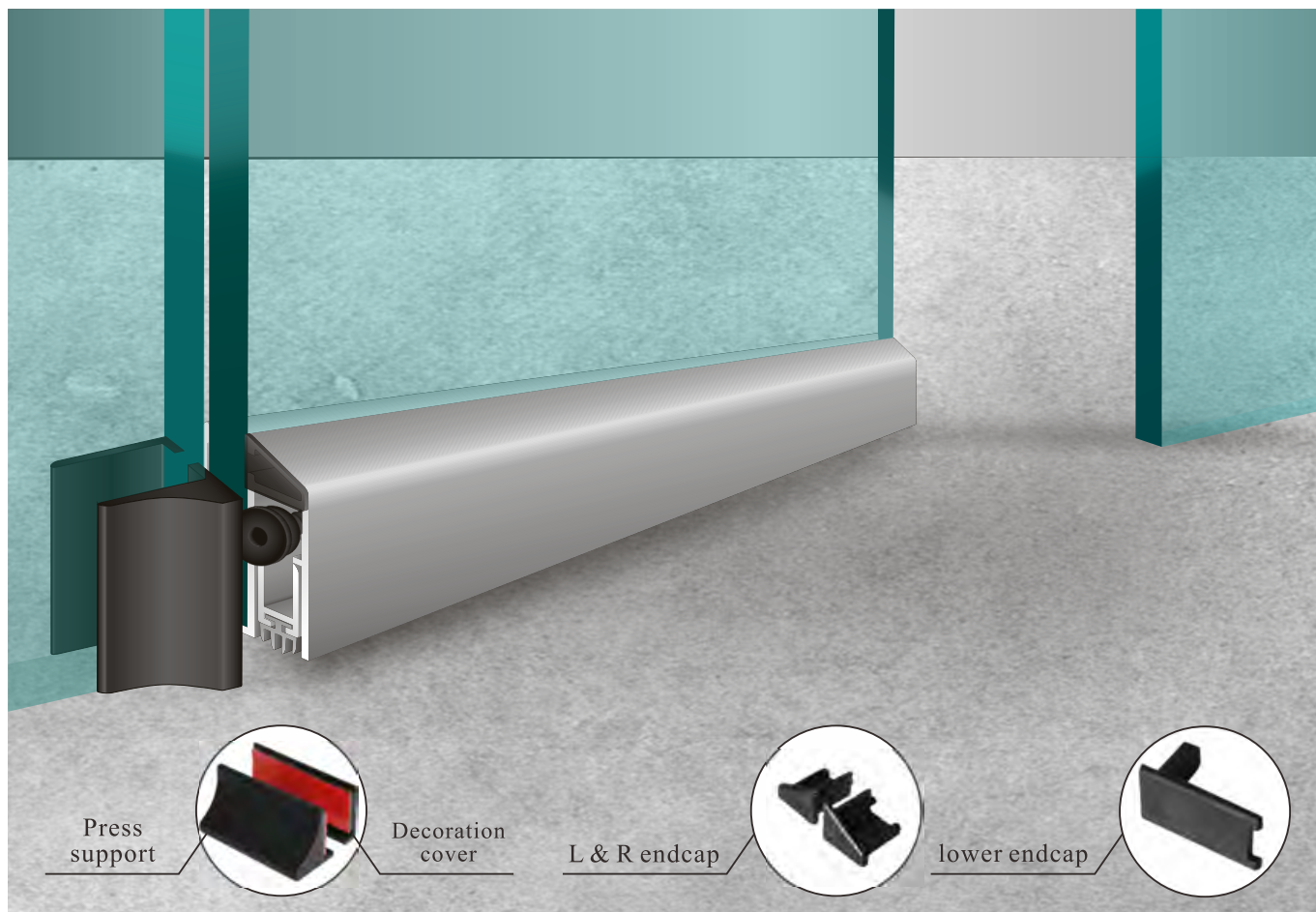
# Drop Down Seal

## GF-B15 Drop down seal for glass door



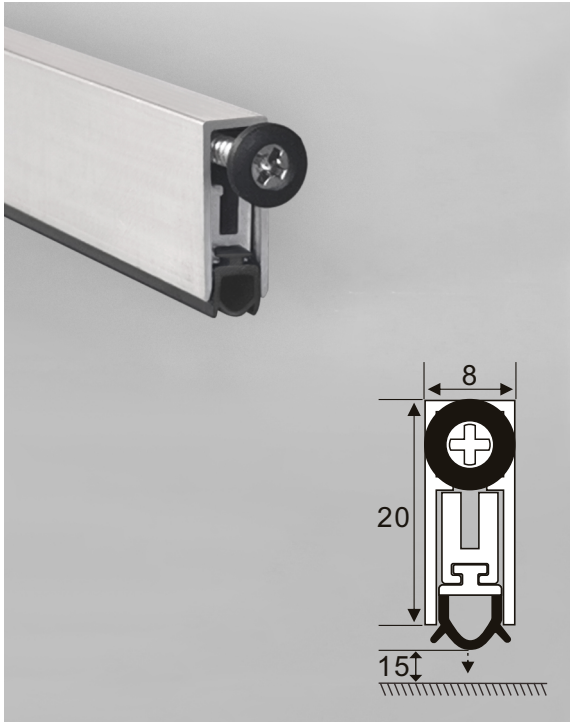
The consealed drop down seal is specially designed for flat-opening pure glass doors, aluminum alloy window frame glass doors, stainless steel frame glass doors, and wooden frame glass doors. The accessories are complete and can adapt to glass doors with or without door frames. The aluminum alloy decorative strips on the front and back with frosted surfaces, without screws on the product surface, are flat and beautiful.

<b>Application</b>	For types of swing glass door. Special designed with opposite decoration strim make glass door looks perfect.
<b>Length</b>	From 300mm-1500mm
<b>Sealing gap</b>	3mm-14mm
<b>Cuting Length</b>	Up to 115mm on the opposite to the plunger
<b>Finish</b>	Sand blast anodized silver
<b>Fixing</b>	With high strength Double Side Tape
<b>Plunger</b>	A201 (P28)
<b>Seal</b>	Co-extruded PVC



# Drop Down Seal

## GF-B16 Drop down seal for aluminum door



Used for bottom of aluminum door, put GF-B16 in preserved aluminum slot.

**Application** Use for aluminum door bottoms in order to sealing gaps for sound insulation, temperature insulation and dust control. install GF-B16 in aluminum preserved slot with top on adhesive foam tape. Also adhesive tape can be used in 2 sides of GF-B16 in case there is more space.

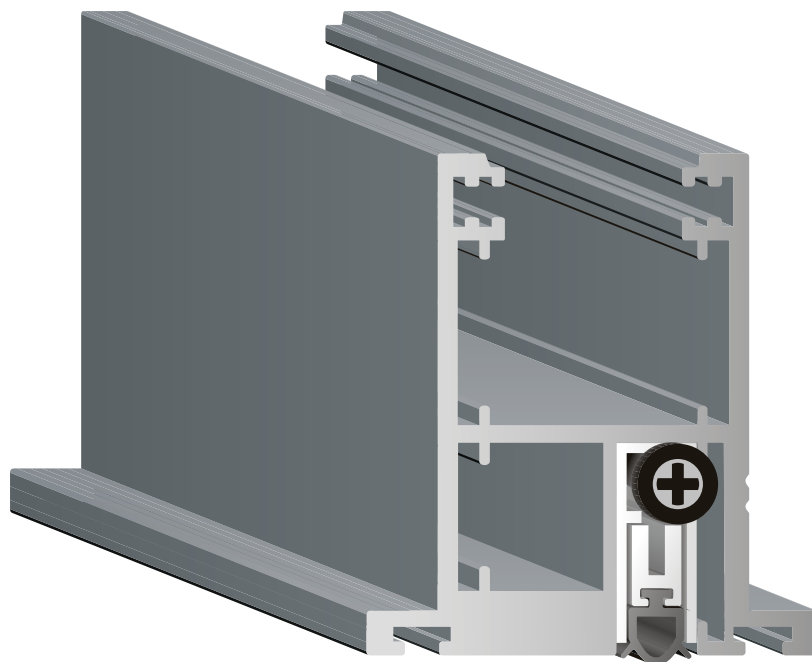
**Length** From 300-1100mm

**Sealing gap** Up to 15mm

**Finish** Silver colour

**Plunger** Stainless Steel Same with GF-B01

**Seal** Co-extruded PVC



# Drop Down Seal

## GF-B17 Consealed drop down seal



Special designed removable plunger can be used to guarantee drop-down seal workable when it is in position. (see below)

<b>Application</b>	All hinged door, Special for metal door which can not use bracket fixing
<b>Length</b>	From 280-1500mm
<b>Sealing gap</b>	Up to 15mm
<b>Finish</b>	Anodized silver
<b>Fixing</b>	With stainless steel bracket P101-S/P101-R (see page 27)
<b>Plunger</b>	A101 / A102 / A103 / A104 optional (see page 28)
<b>Seal</b>	Co-extruded TPE, gray colour



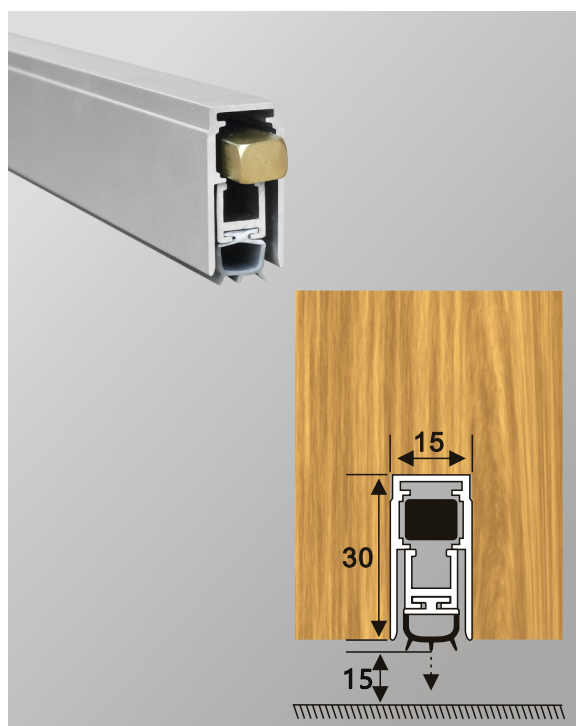
**60min.** 

**Intertek Report No.:** 211229003SHF-001

**39dB** 

**Intertek Report No.:** 220615013SHF-005

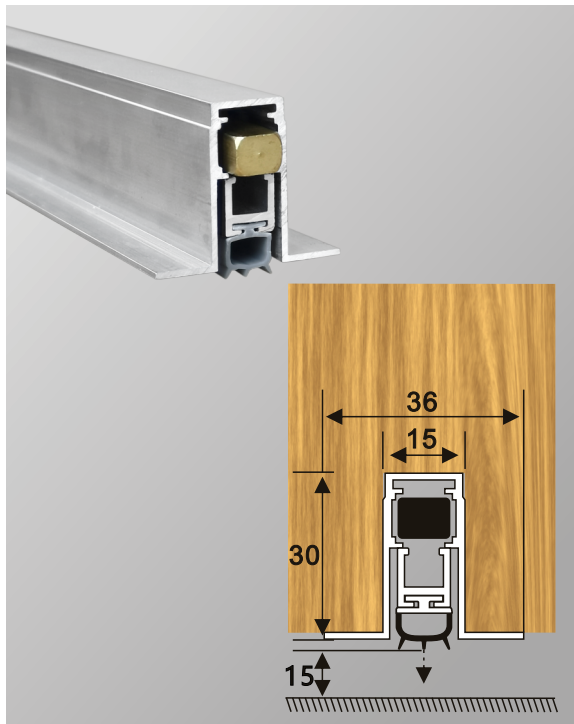
## GF-B17-1 Consealed drop down seal



<b>Application</b>	All hinged door
<b>Length</b>	From 260-1500mm
<b>Sealing gap</b>	Up to 14mm
<b>Finish</b>	Anodized silver
<b>Fixing</b>	With stainless steel bracket
<b>Plunger</b>	A101 / A102 / A103 / A104 optional (see page 28)
<b>Seal</b>	Co-extruded PVC seal, gray colour

# Drop Down Seal

## GF-B17-2 Consealed drop down seal



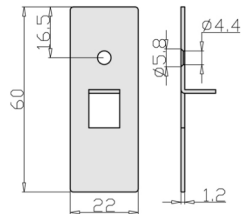
Application	All hinged door
Length	From 260-2200mm
Sealing gap	Up to 14mm
Finish	Anodized silver
Fixing	a) With stainless steel bracket b) With screw on fin, bracket
Plunger	A101 / A102 / A103 / A104 optional (see page 28)
Seal	Co-extruded PVC seal, gray colour

# Drop Down Seal

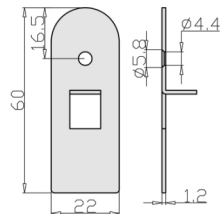
## “Gallford” Drop down seal accessory

### Bracket

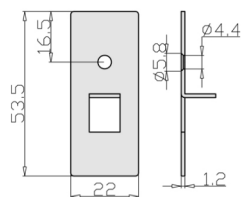
P101-S



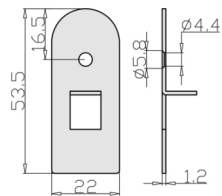
P101-R



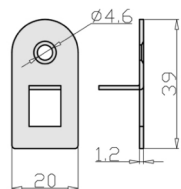
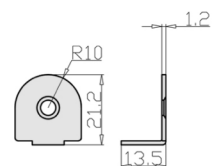
P102-S



P102-R

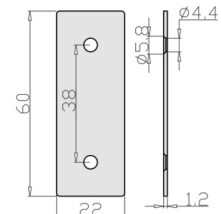


P201

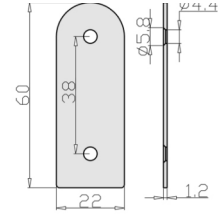


### Strike Plate

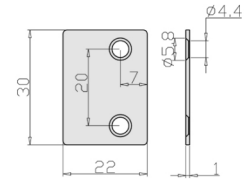
G101-S



G101-R

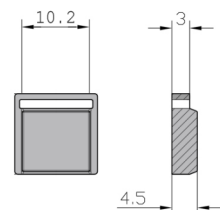
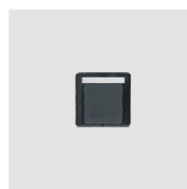


G102

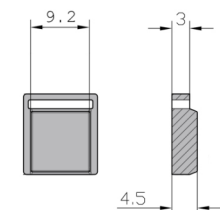


### End Cap

D101



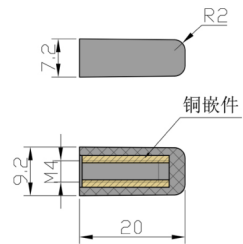
D102



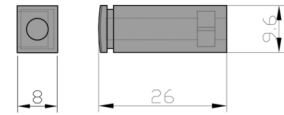
# Drop Down Seal

## Plunger

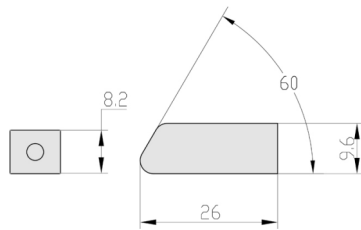
A101



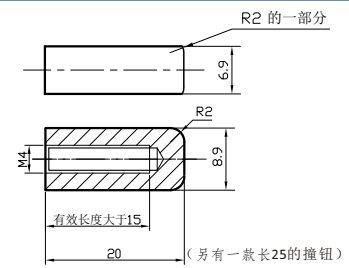
A102



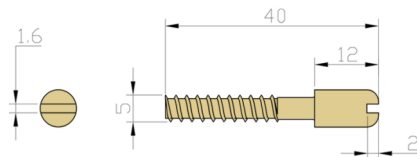
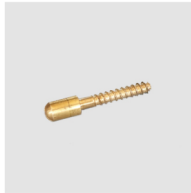
A103



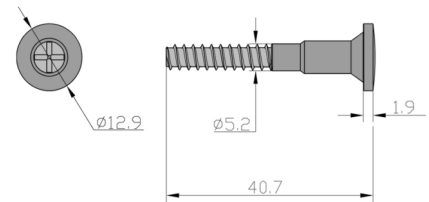
A104



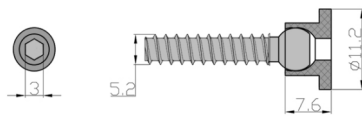
A111



A112



A201



P202

